

FEATURES

- High heat resistance and excellent solderability.
- Excellent terminal strength construction.
- Surface mount inductor with high current rating.



APPLICATIONS

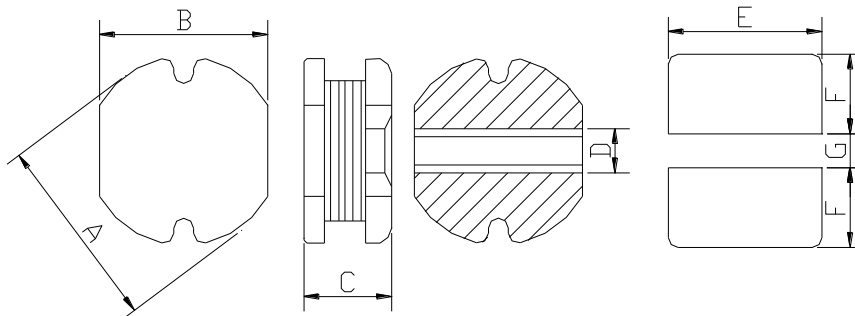
- Ideally used in Digital cameras, notebook PCs, LCD TV sets DC-DC Converters, etc.

Product Identification

MGSD 32 - 3R3 M - LF
 ① ② ③ ④ ⑤

- ① Series Name
- ② Product Dimensions: (3.5*3.0*2.1 mm)
- ③ Inductance Value: (3R3:3.3uH 100: 10uH; 101:100uH)
- ④ Inductance Tolerance: (K:10% ; M:20% ; N:30%)
- ⑤ Lead Free Products

Shapes and Dimensions



Series	Dimensions(mm)						
	A	B	C	D	E	F	G
MGSD32	3.5±0.3	3.0±0.3	2.1±0.3	1.0 Ref.	3.5	1.3	1.0
MGSD43	4.5±0.3	4.0±0.3	3.2±0.3	1.4 Ref.	4.5	1.8	1.5
MGSD54	5.8±0.3	5.2±0.3	4.5±0.5	1.6 Ref.	5.8	2.2	1.7
MGSD75	7.8±0.3	7.0±0.3	5.0±0.5	2.4 Ref.	7.5	3.0	2.0

Electrical Characteristics

MGSD32 Series

Part Number	L (μ H)	Tolerance	Test freq. (KHz)	DCR max. (Ω)	Rated Current (A)
MGSD32-1R0M-LF	1.0	$\pm 20\%$	100	0.07	2.10
MGSD32-2R2M-LF	2.2	$\pm 20\%$	100	0.10	1.28
MGSD32-3R3M-LF	3.3	$\pm 20\%$	100	0.14	1.18
MGSD32-4R7M-LF	4.7	$\pm 20\%$	100	0.17	1.04
MGSD32-6R8M-LF	6.8	$\pm 20\%$	100	0.20	0.880
MGSD32-100K-LF	10	$\pm 10\%$	100	0.23	0.760
MGSD32-150K-LF	15	$\pm 10\%$	100	0.31	0.635
MGSD32-220K-LF	22	$\pm 10\%$	100	0.47	0.500
MGSD32-270K-LF	27	$\pm 10\%$	100	0.66	0.405
MGSD32-330K-LF	33	$\pm 10\%$	100	0.76	0.380
MGSD32-390K-LF	39	$\pm 10\%$	100	0.85	0.355
MGSD32-470K-LF	47	$\pm 10\%$	100	0.97	0.330
MGSD32-560K-LF	56	$\pm 10\%$	100	1.25	0.290
MGSD32-680K-LF	68	$\pm 10\%$	100	1.45	0.275

MGSD43 Series

Part Number	L (μ H)	tolerance	Test freq. (KHz)	DCR max. (Ω)	Rated Current (A)
MGSD43-1R0M-LF	1.0	$\pm 20\%$	100	0.033	3.8
MGSD43-2R2M-LF	2.2	$\pm 20\%$	100	0.047	2.6
MGSD43-3R3M-LF	3.3	$\pm 20\%$	100	0.058	2.15
MGSD43-4R7M-LF	4.7	$\pm 20\%$	100	0.094	1.7
MGSD43-6R8M-LF	6.8	$\pm 20\%$	100	0.117	1.43
MGSD43-100M-LF	10	$\pm 20\%$	100	0.182	1.15
MGSD43-150M-LF	15	$\pm 20\%$	100	0.235	0.92
MGSD43-180M-LF	18	$\pm 20\%$	100	0.338	0.84
MGSD43-220M-LF	22	$\pm 20\%$	100	0.378	0.76
MGSD43-270M-LF	27	$\pm 20\%$	100	0.522	0.71
MGSD43-330K-LF	33	$\pm 10\%$	100	0.54	0.64
MGSD43-390K-LF	39	$\pm 10\%$	100	0.59	0.59
MGSD43-470K-LF	47	$\pm 10\%$	100	0.85	0.54
MGSD43-680K-LF	68	$\pm 10\%$	100	1.17	0.48

*. Rated Current: it is either the inductance is 10% lower than its nominal value in D.C. saturation characteristics or temperature rise becomes $\Delta T=40^{\circ}\text{C}$, whichever is lower.

MGSD54 Series

Part Number	L (μ H)	tolerance	Test freq. (KHz)	DCR max. (Ω)	Rated Current (A)
MGSD54-100M-LF	10	$\pm 20\%$	100	0.10	1.44
MGSD54-120M-LF	12	$\pm 20\%$	100	0.12	1.40
MGSD54-150M-LF	15	$\pm 20\%$	100	0.14	1.30
MGSD54-180M-LF	18	$\pm 20\%$	100	0.15	1.23
MGSD54-220M-LF	22	$\pm 20\%$	100	0.18	1.11
MGSD54-270M-LF	27	$\pm 20\%$	100	0.20	0.97
MGSD54-330L-LF	33	$\pm 15\%$	100	0.23	0.88
MGSD54-390L-LF	39	$\pm 15\%$	100	0.32	0.80
MGSD54-470L-LF	47	$\pm 15\%$	100	0.37	0.72
MGSD54-560K-LF	56	$\pm 10\%$	100	0.42	0.68
MGSD54-680K-LF	68	$\pm 10\%$	100	0.46	0.61
MGSD54-820K-LF	82	$\pm 10\%$	100	0.60	0.58
MGSD54-101K-LF	100	$\pm 10\%$	100	0.70	0.52
MGSD54-121K-LF	120	$\pm 10\%$	100	0.93	0.48
MGSD54-151K-LF	150	$\pm 10\%$	100	1.10	0.40
MGSD54-181K-LF	180	$\pm 10\%$	100	1.38	0.38
MGSD54-221K-LF	220	$\pm 10\%$	100	1.57	0.35

MGSD75 Series

Part Number	L $\pm 10\%$ (μ H)	Test freq. (KHz)	DCR max. (Ω)	Rated Current (A)
MGSD75-100K-LF	10	100	0.07	2.3
MGSD75-150K-LF	15	100	0.09	1.8
MGSD75-220K-LF	22	100	0.11	1.5
MGSD75-270K-LF	27	100	0.12	1.3
MGSD75-330K-LF	33	100	0.13	1.2
MGSD75-470K-LF	47	100	0.18	1.1
MGSD75-680K-LF	68	100	0.28	0.85
MGSD75-820K-LF	82	100	0.37	0.78
MGSD75-101K-LF	100	100	0.43	0.72
MGSD75-151K-LF	150	100	0.64	0.58
MGSD75-181K-LF	180	100	0.71	0.51
MGSD75-221K-LF	220	100	0.96	0.49
MGSD75-271K-LF	270	100	1.11	0.42
MGSD75-331K-LF	330	100	1.26	0.40
MGSD75-391K-LF	390	100	1.77	0.36
MGSD75-471K-LF	470	100	1.96	0.34

*. Rated Current: it is either the inductance is 10% lower than its nominal value in D.C. saturation characteristics or temperature rise becomes $\Delta T=40^{\circ}\text{C}$, whichever is lower.