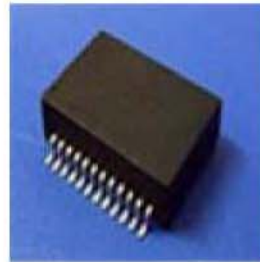


FEATURES

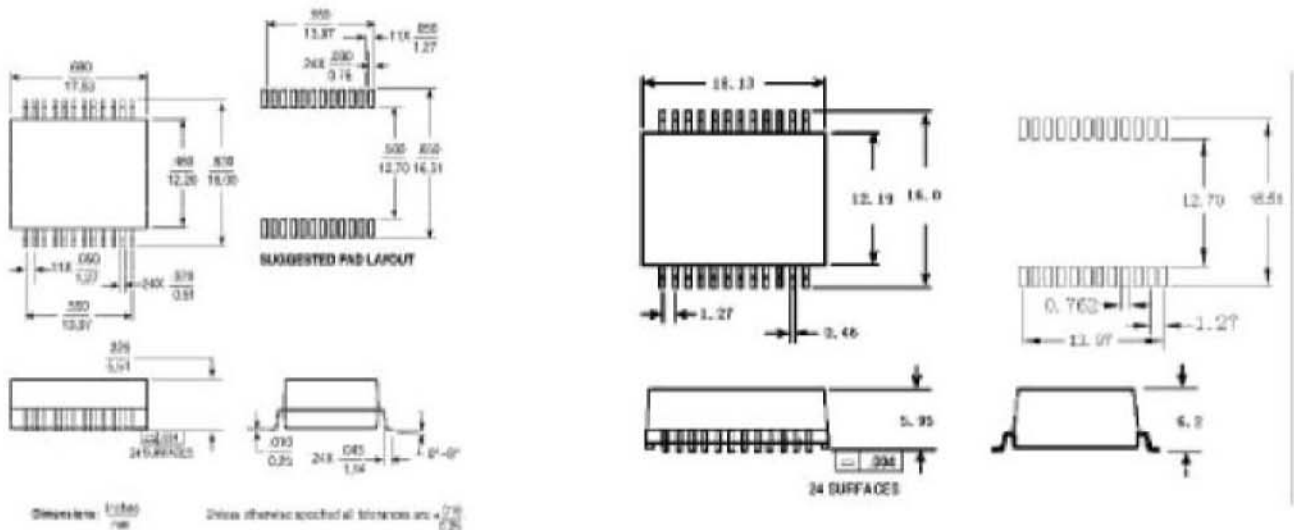
- Designed for long haul Gigabit Ethernet 100/1000 Base-T, full duplex applications
- Supports 4 pairs of category 5 UTP cable
- Cable interface for isolation and low common mode emissions
- Compliant with IEEE 802.3ab standard for 1000 Base-T



ELECTRICAL SPECIFICATIONS @25°C-Operating temperature 0°C TO 70°C

Part Number	Insertion Loss (dB max)	Return Loss (dB min @100 Ω)						Differential to Common Mode (dB min)			Crosstalk (dB TYP)			Hipot (V _{rms} min)
		1- 30 MHz	40 MHz	50 MHz	60-80 MHz	100 MHz	30 MHz	60 MHz	100 MHz	30 MHz	60 MHz	100 MHz		
ST-30 21	-1.0	-18	-14.4	-13.1	-12	-10	-43	-37	-33	-45	-40	-35	1500	
ST-30 22	-1.0	-18	-14.4	-13.1	-12	-10	-43	-37	-33	-45	-40	-35	1500	
ST-30 25	-1.0	-16	-14.5	-14.5	-12	-10	-42	-37	-33	-40	-40	-35	1500	
ST-30 26	-1.0	-18	-14.4	-13.1	-12	-10	-42	-37	-33	-40	-40	-35	1500	

DIMENSION

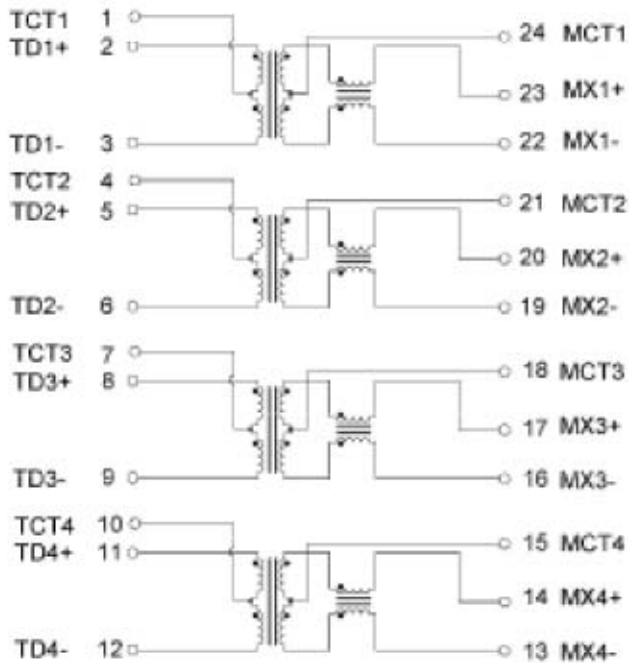


Molding

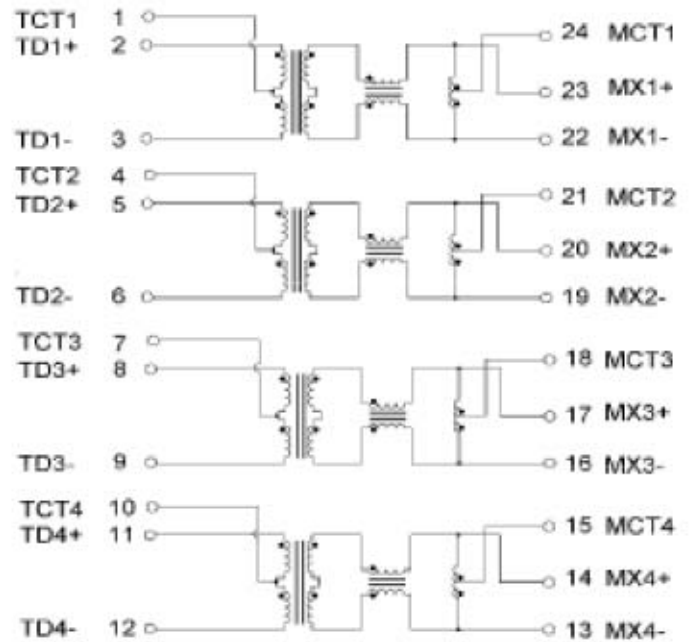
Bottom Potting

SCHEMATIC

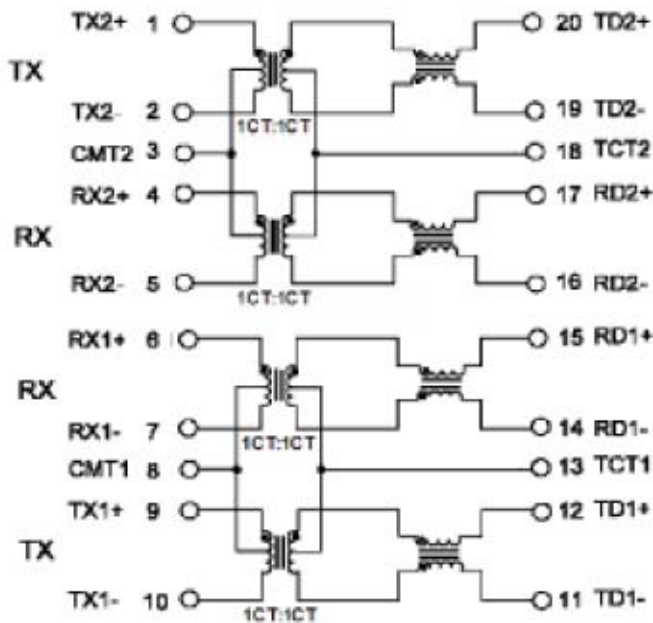
ST-3021



ST-3022



ST-3025



ST-3026

